

Inox Corrugado

Stainless steel hose, welding fittings and flanges

Tuyau Inox, raccords et brides à souder

Tubi Inox, raccordi e flange a saldare



MANGUERA INOX ISO 10380 184

Stainless steel hose ISO 10380

Tuyau Inox ISO 10380

Tubi inox ISO 10380

RACORES SOLDABLES 186

Welding fittings

Raccords à souder

Raccordi a saldare

BRIDAS SOLDABLES 192

Welding flanges

Brides à souder

Flange a saldare

FLUIDAL

MANGUERA INOX ISO 10380

Stainless steel hose ISO 10380

Tuyau Inox ISO 10380

Tubi inox ISO 10380

Mangueras Inox Corrugado y Malla Inox ▪ Convoluted stainless steel hoses and AISI 304 Braid ▪ Tuyaux inox onduleux et Tresse Inox ▪ Tubi Inox corrugato e Maglia Inox



M93211

M93161304

M93161

M93161304..EF

M93162304

M304

M316

FLUIDAL

RACORES SOLDABLES

Welding fittings
Raccords à souder
Raccordi a saldare

Racores soldables BSP ▪ BSP Welding fittings ▪ Raccords à souder BSP ▪ Raccordi a saldare BSP



Racores soldables JIC 37º ▪ JIC 37º Welding fittings ▪ Raccords à souder JIC 37º ▪ Raccordi a saldare JIC 37º



Racores soldables métricos ▪ Metric Welding fittings ▪ Raccords à souder métriques ▪ Raccordi a saldare métrici



Cono y tuerca ▪ Nipple and nut ▪ Collet et écrou ▪ Ogiva e dado



Racores para soldar >2" ▪ Welding fittings >2" ▪ Raccords à souder >2" ▪ Raccordi a saldare > 2"



BRIDAS SOLDABLES

Welding flanges
Brides à souder
Flange a saldare

Bridas fijas para soldar ▪ Fixed Forged flanges ▪ Brides DIN à souder fixes ▪ Flangia a saldare



BPN162633

BANSAWN150

BPN402635

BANSAWN300

Conjunto brida DIN 2642 ▪ DIN 2642 swivel flanges set ▪ Ensemble brides tournantes DIN 2642 ▪ Flangia girevole DIN 2642



BPN102642

ABARO2642

ABTUB

Conjunto brida DIN 2656 ▪ DIN 2656 swivel flanges set ▪ Ensemble brides tournantes DIN 2656 ▪ Flangia girevole DIN 2656



BPN402656

ABARO2656

ABTUB

Conjunto brida ANSI-ASA ▪ ANSI-ASA swivel flanges set ▪ Ensemble brides ANSI-ASA ▪ Flangia girevole ANSI-ASA



BANSASO150

BANSASO300

ABTUB

ABAROANSA

MANGUERA INOX ISO 10380

Stainless steel hose ISO 10380

Tuyau Inox ISO 10380

Tubi inox ISO 10380

Inox corrugado AISI 321 con una malla AISI 304

Convuluted S.S. AISI 321 hose with one braid S.S. AISI 304

Inox onduleux AISI 321 avec une tresse inox AISI 304

Tubo in Inox corrugato 321 con una treccia AISI 304



DN	Ø INT. Ø INNER	Referencia Part n°	€
1/4"	6.2	M93211006	9,50
3/8"	10.3	M93211010	11,98
1/2"	12.2	M93211012	12,51
5/8"	16.2	M93211016	20,14
3/4"	20.2	M93211020	25,93
1"	25.4	M93211025	32,60
1" 1/4	34.3	M93211032	39,61
1" 1/2	40.1	M93211040	52,95
2"	50.3	M93211050	72,55
2" 1/2	65.6	M93211065	101,17
3"	80.3	M93211080	112,03
4"	100.8	M93211100	147,18

Inox corrugado AISI 316 con una malla AISI 304

Convuluted S.S. AISI 316 hose with one braid S.S. AISI 304

Inox onduleux AISI 316 avec une tresse inox AISI 304

Tubo in Inox corrugato 316 con una treccia AISI 304



DN	Ø INT. Ø INNER	Referencia Part n°	€
1/4"	6.2	M93161304006	9,59
3/8"	10.3	M93161304010	13,01
1/2"	12.2	M93161304012	13,94
5/8"	16.2	NEW M93161304016	35,05
3/4"	20.2	M93161304020	28,19
1"	25.4	M93161304025	36,02
1" 1/4	34.3	M93161304032	45,05
1" 1/2	40.1	M93161304040	61,38
2"	50.3	M93161304050	82,14
2" 1/2	65.6	M93161304065	116,16
3"	80.3	M93161304080	124,67
4"	100.8	M93161304100	169,78

Inox corrugado AISI 316 con una malla AISI 316

Convuluted S.S. AISI 316 hose with one braid S.S. AISI 316

Inox onduleux AISI 316 avec une tresse inox AISI 316

Tubo in Inox corrugato 316 con una treccia AISI 316



DN	Ø INT. Ø INNER	Referencia Part n°	€
1/4"	6.2	M93161006	10,33
3/8"	10.3	M93161010	14,97
1/2"	12.2	M93161012	16,52
3/4"	20.2	M93161020	34,36
1"	25.4	M93161025	44,92
1" 1/4	34.3	M93161032	57,82
1" 1/2	40.1	M93161040	82,14
2"	50.3	M93161050	110,48
2" 1/2	65.6	M93161065	134,23
3"	80.3	M93161080	143,65
4"	100.8	M93161100	201,35

Inox corrugado AISI 316 con una malla AISI 304 extra flexible

Convuluted S.S. AISI 316 hose with one braid S.S. AISI 304 extra flexible

Inox onduleux AISI 316 avec une tresse inox AISI 304 extra flexible

Tubo inox corrugato AISI 316 con una treccia inox AISI 304 extra flessibile



DN	Ø INT. Ø INNER	Referencia Part n°	€
3/4"	20	M93161304020EF	34,56
1"	25	M93161304025EF	44,40
1" 1/4	34.3	M93161304032EF	59,20
1" 1/2	39.8	M93161304040EF	81,57
2"	50	M93161304050EF	108,82

Inox corrugado AISI 316 con dos mallas AISI 304

Convuluted S.S. AISI 316 hose with two braids S.S. AISI 304

Inox onduleux AISI 316 avec deux tresses inox AISI 304

Tubo in Inox corrugato 316 con due trecce AISI 304



DN	Ø INT. Ø INNER	Referencia Part n°	€
1/4"	6.2	M93162304006	10,84
3/8"	10.3	M93162304010	15,70
1/2"	12.2	M93162304012	17,35
3/4"	20.2	M93162304020	36,24
1"	25.4	M93162304025	46,57
1" 1/4	34.3	M93162304032	60,71
1" 1/2	40.1	M93162304040	86,22
2"	50.3	M93162304050	115,28
2" 1/2	65.6	M93162304065	140,94
3"	80.3	M93162304080	150,93
4"	100.8	M93162304100	210,13

MANGUERA INOX ISO 10380

Stainless steel hose ISO 10380

Tuyau Inox ISO 10380

Tubi inox ISO 10380

Malla inox 304

AISI 304 braid

Tresse inox 304

Maglia di acciaio Inox 304



Ø INT. Ø INNER	Referencia Part n°	€
9,6	M304009.6	3,87
12,3	M304012.3	4,34
14,3	M304014.3	5,68
16,7	M304016.7	6,25
21,6	M304021.6	10,94
26,8	M304026.8	13,22
32,2	M304032.2	15,18
41,1	M304041.1	21,49
49,8	M304049.8	24,18
60,3	M304060.3	37,11
80,8	M304080.8	51,84

Malla inox 316

AISI 316 braid

Tresse inox 316

Treccia di acciaio Inox 316



Ø INT. Ø INNER	Referencia Part n°	€
9,6	M316009.6	5,16
12,3	M316012.3	5,59
14,3	M316014.3	7,23
16,7	M316016.7	8,26
21,6	M316021.6	14,46
26,8	M316026.8	17,35
32,2	M316032.2	20,14
41,1	M316041.1	28,77
49,8	M316049.8	35,62
60,3	M316060.3	48,40
80,8	M316080.8	64,53



Amplia variedad de manguera inoxidable corrugado para instalaciones en el sector químico, centrales eléctricas y plantas petroquímicas.

Wide range of convoluted stainless steel hoses for a variety of facilities, such us chemical sector, power plant, oil and gas.

RACORES SOLDABLES

Welding fittings
Raccords à souder
Raccordi a saldare

Casquillo soldable Inox corrugado

Convuluted SS welding ferrule

Jupe à souder Inox convoluté

Boccola a saldare per inox corrugato



DN	Ø INT. Ø INNER	Referencia Part n°	€
1/4"	14	810700400	*
1/4"	12	810700401	*
3/8"	19	810700600	*
3/8"	17	810700601	*
1/2"	22	810700800	*
1/2"	19	810700801	*
5/8"	25	810701000	*
3/4"	30	810701200	*
3/4"	32	810701201	*
1"	35	810701500	*
1"	37	810701600	*
1"1/4	47,8	810702000	*
1"1/4	44,3	810702001	*
1"1/2	56,3	810702400	*
2"	66	810703201	*
2"1/2	84,9	810704000	*
2"1/2	95,6	810704001	*
3"	100	810704801	*
4"	125	810706400	*

*Ver precio en catálogo de inox 173 / *Prices in Stainless Steel Catalogue p.173 / *Prix dans le Catalogue Acier Inox p.173 / *Prezzi in Acciaio Inossidabile p.199

Macho fijo BSP asiento plano - soldable con guía

Welding fixed male BSP flat seat with guide

Mâle fixe BSP fond plat à souder avec guide

Maschio BSP faccia piana, a saldare con guida



DN	ROSCA THREAD	Referencia Part n°	€
1/4"	1/4" BSP	A103304	2,18
3/8"	3/8" BSP	A103306	2,70
1/2"	1/2" BSP	A103308	3,72
3/4"	3/4" BSP	A103312	5,24
1"	1" BSP	A103316	7,21
1"1/4	1"1/4 BSP	A103320	16,58
1"1/2	1"1/2 BSP	A103324	21,56
2"	2" BSP	A103332	33,52

Macho cónico BSPT con guía

Welding adaptor BSPT with guide

Mamelon hexagonal BSPT conique à souder (bw) + guide

Maschio conico BSPT con guida



DN	ROSCA THREAD	Referencia Part n°	€
1/4"	1/4" BSPT	A103204	2,62
3/8"	3/8" BSPT	A103206	2,91
1/2"	1/2" BSPT	A103208	4,16
3/4"	3/4" BSPT	A103212	4,51
1"	1" BSPT	A103216	7,80
1"1/4	1"1/4 BSPT	A103220	18,50
1"1/2	1"1/2 BSPT	A103224	20,12
2"	2" BSPT	A103232	25,45
2"1/2	2"1/2 BSPT	A103240	76,68

Macho BSP cono 60° con guía

Welding adaptor BSP 60° with guide

Mamelon hexagonal BSP à souder (bw) + guide

Maschio BSP a saldare sede 60° con guida



DN	ROSCA THREAD	Referencia Part n°	€
1/4"	1/4" BSP	A103504	1,50
3/8"	3/8" BSP	A103506	2,06
1/2"	1/2" BSP	A103508	2,57
3/4"	3/4" BSP	A103512	3,99
1"	1" BSP	A103516	5,76
1"1/4	1"1/4 BSP	A103520	13,80
1"1/2	1"1/2 BSP	A103524	19,11
2"	2" BSP	A103532	36,60

Empalme liso soldable rosca BSP (60°)

Welding union BSP male (60°)

Embout mâle lisse à souder gaz cyl BSP (60°)

Mezzo nipples tondo a saldare BSP 60°



ROSCA THREAD	Referencia Part n°	€
1/8" BSP	A129002	1,64
1/4" BSP	A129004	0,95
3/8" BSP	A129006	1,20
1/2" BSP	A129008	1,47
3/4" BSP	A129012	2,68
1" BSP	A129016	6,22
1"1/4 BSP	A129020	18,59
1"1/2 BSP	A129024	20,00
2" BSP	A129032	20,16

Macho fijo NPT - soldable con guía

Welding fixed male NPT flat seat with guide

Mâle fixe NPT à souder avec guide

Maschio NPT, a saldare con guida



DN	ROSCA THREAD	Referencia Part n°	€
1/4"	1/4" NPT	A103404	1,80
3/8"	3/8" NPT	A103406	2,63
1/2"	1/2" NPT	A103408	2,98
3/4"	3/4" NPT	A103412	5,20
1"	1" NPT	A103416	7,96
1" 1/4	1" 1/4 NPT	A103420	15,47
1" 1/2	1" 1/2 NPT	A103424	19,12
2"	2" NPT	A103432	37,80

RACORES SOLDABLES

Welding fittings
Raccords à souder
Raccordi a saldare

Hembras giratorias prensada BSP 60° - soldable con guía

Welding BSP swivel female 60° with guide

Femelle tournante BSP 60° à souder avec guide

Femmina diritta girevole BSP, a saldare con guida



DN	ROSCA THREAD	Referencia Part n°	€
1/4"	1/4" BSP	A128104	1,93
3/8"	3/8" BSP	A128106	2,41
1/2"	1/2" BSP	A128108	3,43
3/4"	3/4" BSP	A128112	5,24
1"	1" BSP	A128116	8,36
1" 1/4	1" 1/4 BSP	A128120	14,22
1" 1/2	1" 1/2 BSP	A128124	18,66

Hembras giratorias prensada 90° BSP 60° - soldable

Welding 90° BSP swivel female 60°

Femelle tournante 90° à souder

Femmina 90° girevole BSP, a saldare



DN	ROSCA THREAD	Referencia Part n°	€
1/4"	1/4" BSP	A103704	3,04
3/8"	3/8" BSP	A103706	3,86
1/2"	1/2" BSP	A103708	6,39
3/4"	3/4" BSP	A103712	9,45
1"	1" BSP	A103716	15,30
1" 1/4	1" 1/4 BSP	A103720	24,21
1" 1/2	1" 1/2 BSP	A103724	34,84
2"	2" BSP	A103732	40,02

Hembras giratorias prensada 45° BSP 60° - soldable

Welding 45° BSP swivel female 60°

Femelle tournante 45° à souder

Femmina 45° girevole BSP, a saldare



DN	ROSCA THREAD	Referencia Part n°	€
1/4"	1/4" BSP	A103804	3,08
3/8"	3/8" BSP	A103806	4,05
1/2"	1/2" BSP	A103808	5,78
3/4"	3/4" BSP	A103812	11,09
1"	1" BSP	A103816	14,02
1" 1/4	1" 1/4 BSP	A103820	23,52
1" 1/2	1" 1/2 BSP	A103824	34,84
2"	2" BSP	A103832	59,23

Hembras giratorias prensada BSP asiento plano - soldable con guía

Welding BSP swivel female flat seat

Femelle tournante BSP à souder fond plat

Femm. gir. BSP faccia piana, a saldare con guida



DN	ROSCA THREAD	Referencia Part n°	€
1/4"	1/4" BSP	A128204	2,12
3/8"	3/8" BSP	A128206	2,65
1/2"	1/2" BSP	A128208	4,56
3/4"	3/4" BSP	A128212	6,58
1"	1" BSP	A128216	11,03
1" 1/4	1" 1/4 BSP	A128220	19,94
1" 1/2	1" 1/2 BSP	A128224	29,17
2"	2" BSP	A128232	49,01

Hembras giratorias prensada 90° BSP asiento plano - soldable

Welding 90° BSP swivel female 60° flat seat

Femelle tournante 90° à souder fond plat

Femm. 90° gir. BSP faccia piana, a saldare



DN	ROSCA THREAD	Referencia Part n°	€
1/4"	1/4" BSP	A103904	3,50
3/8"	3/8" BSP	A103906	4,46
1/2"	1/2" BSP	A103908	6,36
3/4"	3/4" BSP	A103912	12,20
1"	1" BSP	A103916	14,02
1" 1/4	1" 1/4 BSP	A103920	25,23
1" 1/2	1" 1/2 BSP	A103924	37,38
2"	2" BSP	A103932	63,55

Hembras giratorias prensada 45° BSP asiento plano - soldable

Welding 45° BSP swivel female 60° flat seat

Femelle tournante 45° à souder fond plat

Femm. 45° gir. BSP faccia piana, a saldare



DN	ROSCA THREAD	Referencia Part n°	€
1/4"	1/4" BSP	A104004	3,71
3/8"	3/8" BSP	A104006	5,07
1/2"	1/2" BSP	A104008	6,90
3/4"	3/4" BSP	A104012	12,20
1"	1" BSP	A104016	14,02
1" 1/4	1" 1/4 BSP	A104020	25,23
1" 1/2	1" 1/2 BSP	A104024	37,38
2"	2" BSP	A104032	63,55

RACORES SOLDABLES

Welding fittings
Raccords à souder
Raccordi a saldare

Hembra giratoria prensada JIC 37º - soldable con guía

Welding crimped JIC 37º swivel female with guide

Embout à sertir femelle tournante JIC37º à souder

Femmina girevole JIC 37º, a saldare



DN	ROSCA THREAD	Referencia Part nº	€
1/4"	7/16" 20h UNF	A12830704	1,79
1/4"	1/2" 20h UNF	A12830804	2,31
3/8"	9/16" 18h UNF	A12830906	2,51
3/8"	3/4" 16h UNF	A12831206	3,66
1/2"	3/4" 16h UNF	A12831208	3,66
1/2"	7/8" 14h UNF	A12831408	3,95
3/4"	1" 1/16 12h UNF	A12831712	5,98
1"	1" 5/16 12h UNF	A12832116	10,60
1" 1/4	1" 5/8 12h UNF	A12832620	17,55
1" 1/2	1" 7/8 12h UNF	A12833024	26,51

Hembra giratoria 45º prensada JIC 37º - soldable

Welding 45º JIC 37º swivel female

Femelle tournante 45º JIC 37º à souder

Femmina 45º girevole JIC 37º, a saldare



DN	ROSCA THREAD	Referencia Part nº	€
1/4"	7/16" 20h UNF	A10420704	3,50
1/4"	1/2" 20h UNF	A10420804	3,71
3/8"	9/16" 18h UNF	A10420906	4,56
1/2"	3/4" 16h UNF	A10421208	6,47
1/2"	7/8" 14h UNF	A10421408	8,06
3/4"	1" 1/16 12h UNF	A10421712	10,82
1"	1" 5/16 12h UNF	A10422116	17,45
1" 1/4	1" 5/8 12h UNF	A10422620	32,46
1" 1/2	1" 7/8 12h UNF	A10423024	47,73

Hembra giratoria 90º prensada JIC 37º - soldable

Welding 90º JIC 37º swivel female

Femelle tournante 90º JIC 37º à souder

Femmina 90º girevole JIC 37º, a saldare



DN	ROSCA THREAD	Referencia Part nº	€
1/4"	7/16" 20h UNF	A10410704	3,18
1/4"	1/2" 20h UNF	A10410804	3,71
3/8"	9/16" 18h UNF	A10410906	4,46
1/2"	3/4" 16h UNF	A10411208	6,36
1/2"	7/8" 14h UNF	A10411408	7,38
3/4"	1" 1/16 12h UNF	A10411712	10,12
1"	1" 5/16 12h UNF	A10412116	16,87
1" 1/4	1" 5/8 12h UNF	A10412620	32,25
1" 1/2	1" 7/8 12h UNF	A10413024	46,14

Macho JIC 37º - soldable con guía

Welding JIC 37º male with guide

Mâle JIC 37º à souder avec guide

Maschio JIC 37º a saldare con guida



DN	ROSCA THREAD	Referencia Part nº	€
1/4"	7/16" 20h UNF	A10360704	1,79
1/4"	1/2" 20h UNF	A10360804	2,42
3/8"	9/16" 18h UNF	A10360906	2,15
3/8"	3/4" 16h UNF	A10361206	3,36
1/2"	3/4" 16h UNF	A10361208	3,20
1/2"	7/8" 14h UNF	A10361408	3,67
5/8"	7/8" 14h UNF	A10361410	4,04
3/4"	1" 1/16 12h UNF	A10361712	5,97
1"	1" 5/16 12h UNF	A10362116	12,12
1" 1/4	1" 5/8 12h UNF	A10362620	21,00
1" 1/4	1" 7/8 12h UNF	A10363020	27,26

RACORES SOLDABLES

Welding fittings
Raccords à souder
Raccordi a saldare

Boquilla para soldar

Welding nipple

Collet cône Métrique (DIN 2353) à souder (BW)
óring

Ogiva a saldare



TUBO PIPE	SERIE SERIES	Referencia Part n°	€
15X2.5	L	ORIL 15	*
18X2.5	L	ORIL 18	*
22X2.5	L	ORIL 22	*
28X3	L	ORIL 28	*
35X4	L	ORIL 35	*
42X3	L	ORIL 42	*
6X2	L/S	ORIS 6	*
8X2	L/S	ORIS 8	*
8X1.5	L/S	ORIS 8X1.5*	*
10X2	L/S	ORIS 10X2	*
12X2	L/S	ORIS 12	*
12X2.5	L/S	ORIS 12X2.5	*
14X2	L/S	ORIS 14X2*	*
14X3	S	ORIS 14X3	*
16X3	S	ORIS 16X3	*
20X2.5	S	ORIS 20X2.5	*
20X3	S	ORIS 20X3	*
20X4	S	ORIS 20X4	*
25X4	S	ORIS 25X4	*
30x4	S	ORIS 30X4	*
30x5	S	ORIS 30X5	*
38x5	S	ORIS 38X5	*

*See prices page 238 / *See prices page 238 / *Voir les prix page 238 / *Vedere prezzi p. 238

Tuerca Métrica DIN 3870

Nuts DIN 3870

Écrou Métrique DIN 3870

Dadi Metrici DIN 3870



TUBO PIPE	SERIE SERIES	ROSCA THREAD	Referencia Part n°	€
4	LL	M8x1	MLL 4 M 8X1	*
6	LL	M10x1	MLL 6 M 10X1	*
8	LL	M12x1	MLL 8 M 12X1	*
6	L	M12x1,5	ML 6 M 12X1,5	*
8	L	M14x1,5	ML 8 M 14X1,5	*
10	L	M16x1,5	ML 10 M 16X1,5	*
12	L	M18x1,5	ML 12 M 18X1,5	*
15	L	M22x1,5	ML 15 M 22X1,5	*
18	L	M26x1,5	ML 18 M 26X1,5	*
22	L	M30x2	ML 22 M 30X2	*
28	L	M36x2	ML 28 M 36X2	*
35	L	M45x2	ML 35 M 45X2	*
42	L	M52x2	ML 42 M 52X2	*
6	S	M14x1,5	MS 6 M 14X1,5	*
8	S	M16x1,5	MS 8 M 16X1,5	*
10	S	M18x1,5	MS 10 M 18X1,5	*
12	S	M20x1,5	MS 12 M 20X1,5	*
14	S	M22x1,5	MS 14 M 22X1,5	*
16	S	M24x1,5	MS 16 M 24X1,5	*
20	S	M30x2	MS 20 M 30X2	*
25	S	M36x2	MS 25 M 36X2	*
30	S	M42x2	MS 30 M 42X2	*
38	S	M52x2	MS 38 M 52X2	*

*Ver precios en página 226 / *See prices page 226 / *Voir les prix page 226 / *Vedere prezzi p. 226

Boquilla para soldar cono metal

Metal cone welding nipple

Collet cône Métrique conique en métal

Ogiva a saldare cono metallico



TUBO PIPE	SERIE	Referencia Part n°	€
15x2.5	L	CMORIL 15	4,72
18x.2,5	L	CMORIL 18	5,45
22x2,5	L	CMORIL 22	5,77
28x3	L	CMORIL 28	7,24
35x4	L	CMORIL 35	8,62
42x3	L	CMORIL 42	6,82
6x2	L/S	CMORIS 6	1,37
8x2	L/S	CMORIS 8	1,48
10x2	L/S	CMORIS 10	1,73
12x2	L/S	CMORIS 12	1,75
14x3	S	CMORIS 14	13,64
16x3	S	CMORIS 16	2,80
20x3	S	CMORIS 20	9,23
25x4	S	CMORIS 25	4,88
30x5	S	CMORIS 30	6,86
38x5	S	CMORIS 38	11,31

*See prices page 238 / *See prices page 238 / *Voir les prix page 238 / *Vedere prezzi p. 238

Racor recto para soldar

Metric weldable straight couplings

Raccord droit à souder

Raccordo diritto a saldare



TUBO PIPE	SERIE	Referencia Part n°	€
6	L	STA ASL 6	*
8	L	STA ASL 8	*
10	L	STA ASL 10	*
12	L	STA ASL 12	*
15	L	STA ASL 15	*
18	L	STA ASL 18	*
22	L	STA ASL 22	*
28	L	STA ASL 28	*
35	L	STA ASL 35	*
42	L	STA ASL 42	*
6	S	STA ASS 6	*
8	S	STA ASS 8	*
10	S	STA ASS 10	*
12	S	STA ASS 12	*
14	S	STA ASS 14	*
16	S	STA ASS 16	*
20	S	STA ASS 20	*
25	S	STA ASS 25	*
30	S	STA ASS 30	*
38	S	STA ASS 38	*

*Ver precios en página 238 / *See prices page 238 / *Voir les prix page 238 / *Vedere prezzi p. 238

RACORES SOLDABLES

Welding fittings
Raccords à souder
Raccordi a saldare

Hembra giratoria 45° prensada métrica - soldable

Metric weldable swivel female 45°

Femelle tournante 45° métrique à souder

Femmina girevole 45° metrica a saldare



TUBO PIPE	ROSCA THREAD	SERIE SERIES	Referencia Part n°	€
6	12X1,5	L	A10531206	5,30
8	14x1,5	L	A10531408	3,17
10	16X1,5	L	A10531610	3,92
12	18X1,5	L	A10531812	3,95
15	22X1,5	L	A10532215	5,69
18	26X1,5	L	A10532618	8,61
22	30X2	L	A10533022	12,05
28	36X2	L	A10533628	22,28
35	45X2	L	A10534535	34,26
42	52X2	L	A10535242	56,43
6	14x1,5	S	A10531406	5,30
8	16X1,5	S	A10531608	4,03
10	18X1,5	S	A10531810	4,24
12	20X1,5	S	A10532012	5,30
14	22X1,5	S	A10532214	6,15
16	24x1,5	s	A10532416	6,75
20	30X2	S	A10533020	12,91
25	36X2	S	A10533625	18,56
30	42X2	S	A10534230	29,17
38	52X2	S	A10535238	46,67

Hembra giratoria 90° prensada métrica - soldable

Metric weldable swivel female 90°

Femelle tournante 90° métrique à souder

Femmina girevole 90° metrica a saldare



TUBO PIPE	SERIE SERIES	ROSCA THREAD	Referencia Part n°	€
6	L	12X1,5	A10521206	5,30
8	L	14X1,5	A10521408	3,50
10	L	16X1,5	A10521610	3,92
12	L	18X1,5	A10521812	4,24
15	L	22X1,5	A10522215	6,15
18	L	26X1,5	A10522618	9,47
22	L	30X2	A10523022	13,58
28	L	36X2	A10523628	22,28
35	L	45X2	A10524535	34,16
42	L	52X2	A10525242	56,43
6	S	14X1,5	A10521406	5,30
8	S	16X1,5	A10521608	3,92
10	S	18X1,5	A10521810	4,24
12	S	20X1,5	A10522012	4,82
14	S	22X1,5	A10522214	6,15
16	S	24X1,5	A10522416	6,75
20	S	30X2	A10523020	11,73
25	S	36X2	A10523625	18,89
30	S	42X2	A10524230	29,17
38	S	52X2	A10525238	46,67

RACORES SOLDABLES

Welding fittings
Raccords à souder
Raccordi a saldare

Cono ajuste sin guía

Welding nipple without guide

Collet à souder sans guide

Ogiva a saldare BSP



DN	ROSCA THREAD	Referencia Part n°	€
1/4"	1/4" BSP	A127304	0,66
3/8"	3/8" BSP	A127306	0,80
1/2"	1/2" BSP	A127308	1,54
3/4"	3/4" BSP	A127312	1,70
1"	1" BSP	A127316	2,79
1"1/4"	1"1/4 BSP	A127320	4,00
1"1/2"	1"1/2 BSP	A127324	7,41
2"	2" BSP	A127332	11,24

Espiga lisa métrica recta

Metric standpipe

Embout lisse métrique droit

Estremitá tubolare diritta Metrica



Ø EXT. Ø OUTER	Ø INT. Ø INNER	Referencia Part n°	€
7	10	KL0010	3,27
9	12	KL0012	3,93
10	14	KL0014	3,93
12	15	KL0015	5,02
12	16	KL0016	5,02
14	18	KL0018	5,25
14	20	KL0020	5,25
18	22	KL0022	6,36

Tuerca para cono ajuste 60° BSP

BSP nut for welding nipple 60° cone

Écrou BSP pour collet à souder bw (60°)

Dado BSP per nipplo a saldare 60°



ROSCA THREAD	Referencia Part n°	€
1/4" BSP	A127004	1,13
3/8" BSP	A127006	1,12
1/2" BSP	A127008	1,54
3/4" BSP	A127012	2,03
1" BSP	A127016	3,75
1"1/4 BSP	A127020	7,23
1"1/2 BSP	A127024	11,07
2" BSP	A127032	15,04

Cono ajuste BSP 60° con guía >2"

Welding nipple with 60° cone for BSP nut with guide >2"

Collet à souder BSP cone 60° avec guide >2"

Ogiva a saldare cono 60° con guida per dado BSP >2"



DN	ROSCA THREAD	Referencia Part n°	€
2"1/2	2"1/2 BSP	Z127840	*
3"	3" BSP	Z127848	*
4"	4" BSP	Z127864	*

Ver precios en Tarifa Inox p.204 / Prices in Stainless Steel Catalogue p.204 / Prix dans le Catalogue Acier Inox p.204 / Prezzi in Acciaio Inossidabile p.204

Macho BSPT soldar microfundido AISI-316 >2"

Micro-casting BSPT welding male AISI-316 >2"

Mâle BSPT à souder en acier moulé AISI-316 >2"

Maschio BSPT a saldare microfuso AISI-316 >2"



DN	ROSCA THREAD	Referencia Part n°	€
2"1/2	2"1/2 BSPT	ZM103240	*
3"	3" BSPT	ZM103248	*
4"	4" BSPT	ZM103264	*

*Ver precios en Tarifa Inox p.178 / *Prices in Stainless Steel Catalogue p.178 / *Prix dans le Catalogue Acier Inox p.178 / *Prezzi in Acciaio Inossidabile p.178

Tuercas BSP Microfundido AISI-316 >2"

Micro-casting BSP nuts AISI-316 >2"

Écrous BSP en acier moulé AISI-316 >2"

Dadi BSP microfusi AISI-316 >2"



ROSCA THREAD	Referencia Part n°	€
2" 1/2 BSP	Z127040	*
3" BSP	Z127048	*
4" BSP	Z127064	*

*Ver precios en Tarifa Inox p.178 / *Prices in Stainless Steel Catalogue p.178 / *Prix dans le Catalogue Acier Inox p.178 / *Prezzi in Acciaio Inossidabile p.178

BRIDAS SOLDABLES

Welding flanges
Brides à souder
Flange a saldare

Brida fija DIN 2633 PN 10/16

Fixed forged flange DIN 2633 PN 10/16

Bride fixe avec collerette DIN 2633 PN 10/16 à souder

Flangia fissa a saldare DIN 2633 PN 10/16



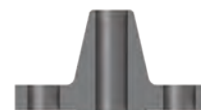
DN	Referencia Part n°	€
3/8"	BPN16263306	20,11
1/2"	BPN16263308	20,52
3/4"	BPN16263312	30,00
1"	BPN16263316	31,61
1"1/4	BPN16263320	34,08
1"1/2	BPN16263324	48,92
2"	BPN16263332	67,68
2"1/2	BPN16263340	74,33
3"	BPN16263348	83,53
4"	BPN16263364	104,37

Brida ANSI-ASA Neck 300 LBS

Flange ANSI-ASA w.Neck 300 LBS

Bride ANSI-ASA w. Neck 300 LBS

Flangia ANSI-ASA Neck 300 LBS



DN	Referencia Part n°	€
1/2"	BANSAWN30008	20,65
3/4"	BANSAWN30012	28,20
1"	BANSAWN30016	31,34
1"1/4	BANSAWN30020	36,37
1"1/2	BANSAWN30024	42,91
2"	BANSAWN30032	49,72
2"1/2	BANSAWN30040	54,19
3"	BANSAWN30048	104,73
4"	BANSAWN30064	160,57

Brida ANSI-ASA Neck 150 LBS

Flange ANSI-ASA w.Neck 150 LBS

Bride ANSI-ASA w. Neck 150 LBS

Flangia ANSI-ASA 150 LBS



DN	Referencia Part n°	€
1/2"	BANSAWN15008	17,78
3/4"	BANSAWN15012	20,49
1"	BANSAWN15016	24,30
1"1/4	BANSAWN15020	29,84
1"1/2	BANSAWN15024	36,50
2"	BANSAWN15032	46,73
2"1/2	BANSAWN15040	60,05
3"	BANSAWN15048	67,47
4"	BANSAWN15064	95,44

Brida fija DIN 2635 PN 40

Fixed forged flange DIN 2635 PN 40

Bride fixe avec collerette DIN 2635 PN 40 à souder

Flangia fissa a saldare DIN 2635 PN 40



DN	Referencia Part n°	€
3/8"	BPN40263506	4,97
1/2"	BPN40263508	9,58
3/4"	BPN40263512	13,69
1"	BPN40263516	16,59
1"1/4	BPN40263520	22,70
1"1/2	BPN40263524	28,18
2"	BPN40263532	31,80
2"1/2	BPN40263540	59,98
3"	BPN40263548	73,17
4"	BPN40263564	68,28

BRIDAS SOLDABLES

Welding flanges
Brides à souder
Flange a saldare

Brida loca DIN 2642 PN 10/16

Swivel forged flange DIN 2642 PN 10/16

Bride plate tournante DIN 2642 PN 10/16 à souder



Flangia girevole a saldare DIN 2642 PN 10/16

DN	Referencia Part n°	€
3/8"	BPN10264206	10,23
1/2"	BPN10264208	11,22
3/4"	BPN10264212	12,98
1"	BPN10264216	16,78
1"1/4	BPN10264220	22,43
1"1/2	BPN10264224	24,84
2"	BPN10264232	30,12
2"1/2	BPN10264240	32,90
3"	BPN10264248	41,52
4"	BPN10264264	47,27

Tubo soldar brida ANSI-DIN

Tube for welding flanges ANSI-DIN

Tube à souder brides ANSI-DIN



Tubo per flangia a saldare ANSI-DIN

DN	Referencia Part n°	€
3/8"	ABTUB006	2,86
1/2"	ABTUB008	3,22
3/4"	ABTUB012	3,85
1"	ABTUB016	4,92
1"1/4	ABTUB020	6,36
1"1/2	ABTUB024	7,61
2"	ABTUB032	9,46
2"1/2	ABTUB040	11,52
3"	ABTUB048	13,10
4"	ABTUB064	15,86

Aro para brida DIN 2642

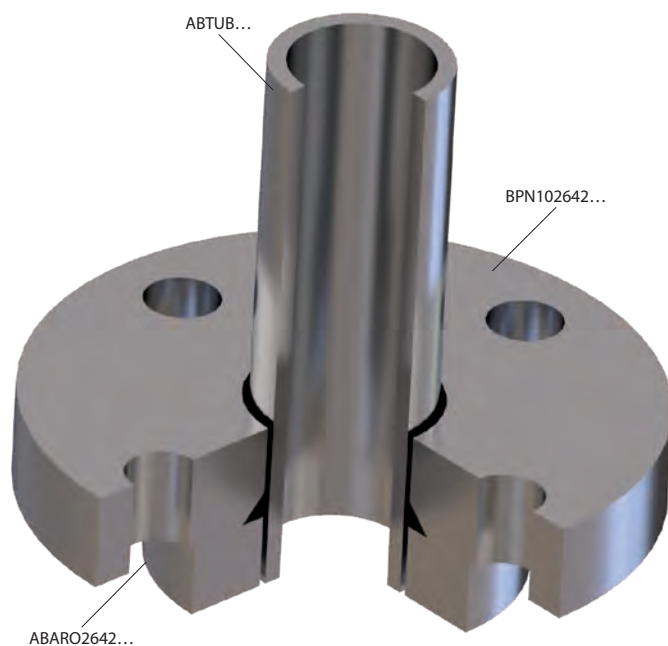
Ring for flange DIN 2642

Collet épais pour bride DIN 2642



Anello per flangia DIN 2642

DN	Referencia Part n°	€
3/8"	ABARO264206	5,75
1/2"	ABARO264208	7,50
3/4"	ABARO264212	9,03
1"	ABARO264216	14,04
1"1/4	ABARO264220	18,20
1"1/2	ABARO264224	15,48
2"	ABARO264232	23,93
2"1/2	ABARO264240	23,36
3"	ABARO264248	31,54
4"	ABARO264264	74,31



BRIDAS SOLDABLES

Welding flanges
Brides à souder
Flange a saldare

Brida loca DIN 2656 PN 40

Swivel forged flange DIN 2656 PN 40

Bride plate tournante DIN 2656 PN 40 à souder

Flangia girevole a saldare DIN 2656 PN 40



DN	Referencia Part n°	€
3/8"	BPN40265606	7,48
1/2"	BPN40265608	8,20
3/4"	BPN40265612	13,08
1"	BPN40265616	16,35
1"1/4	BPN40265620	22,61
1"1/2	BPN40265624	29,90
2"	BPN40265632	35,97
2"1/2	BPN40265640	45,68
3"	BPN40265648	38,49
4"	BPN40265664	74,70

Tubo soldar brida ANSI-DIN

Tube for welding flanges ANSI-DIN

Tube à souder brides ANSI-DIN

Tubo per flangia a saldare ANSI-DIN



DN	Referencia Part n°	€
3/8"	ABTUB006	2,86
1/2"	ABTUB008	3,22
3/4"	ABTUB012	3,85
1"	ABTUB016	4,92
1"1/4	ABTUB020	6,36
1"1/2	ABTUB024	7,61
2"	ABTUB032	9,46
2"1/2	ABTUB040	11,52
3"	ABTUB048	13,10
4"	ABTUB064	15,86

Aro para brida DIN 2656

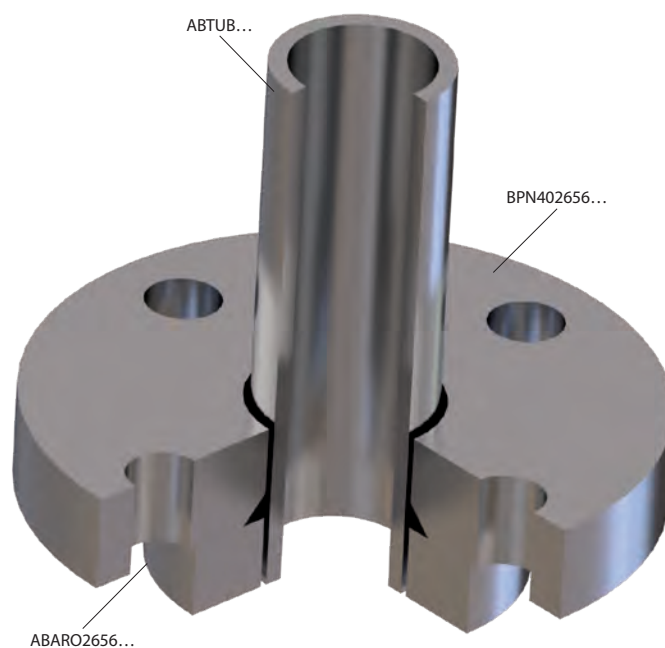
Ring for flange DIN 2656

Collet épais pour bride DIN 2656

Anello per flangia DIN 2656



DN	Referencia Part n°	€
3/8"	ABARO265606	7,60
1/2"	ABARO265608	9,42
3/4"	ABARO265612	9,04
1"	ABARO265616	11,99
1"1/4	ABARO265620	12,78
1"1/2	ABARO265624	14,90
2"	ABARO265632	24,88
2"1/2	ABARO265640	26,81
3"	ABARO265648	41,76



BRIDAS SOLDABLES

Welding flanges
Brides à souder
Flange a saldare

Brida loca ANSI-ASA 150 LBS

Swivel flange ANSI-ASA 150 LBS

Bride tourn. ANSI-ASA 150 LBS

Flangia ANSI-ASA 150 LBS



DN	Referencia Part n°	€
1/2"	BANSASO15008	13,56
3/4"	BANSASO15012	9,70
1"	BANSASO15016	10,19
1"1/4	BANSASO15020	13,43
1"1/2	BANSASO15024	23,67
2"	BANSASO15032	37,55
2"1/2	BANSASO15040	44,37
3"	BANSASO15048	53,29
4"	BANSASO15064	131,17

Brida loca ANSI-ASA 300 LBS

Swivel flange ANSI-ASA 300 LBS

Bride tourn. ANSI-ASA 300 LBS

Flangia ANSI-ASA 300 LBS



DN	Referencia Part n°	€
1/2"	BANSASO30008	14,35
3/4"	BANSASO30012	24,30
1"	BANSASO30016	27,84
1"1/4	BANSASO30020	22,09
1"1/2	BANSASO30024	33,17
2"	BANSASO30032	38,13
2"1/2	BANSASO30040	42,01
3"	BANSASO30048	58,86
4"	BANSASO30064	96,27

Tubo soldar brida ANSI-DIN

Tube for welding flanges ANSI-DIN

Tube à souder brides ANSI-DIN

Tubo per flangia a saldare ANSI-DIN



DN	Referencia Part n°	€
3/8"	ABTUB006	2,86
1/2"	ABTUB008	3,22
3/4"	ABTUB012	3,85
1"	ABTUB016	4,92
1"1/4	ABTUB020	6,36
1"1/2	ABTUB024	7,61
2"	ABTUB032	9,46
2"1/2	ABTUB040	11,52
3"	ABTUB048	13,10
4"	ABTUB064	15,86

Aro para brida ANSI-ASA 150/300 LBS

Ring for welding flanges ANSI-ASA 150/300 LBS

Collet épais pour bride ANSI-ASA 150/300 LBS

Anello per flangia ANSI-ASA 150/300 LBS



DN	Referencia Part n°	€
1/2"	ABAROANSA08	4,10
3/4"	ABAROANSA12	4,92
1"	ABAROANSA16	8,26
1"1/4	ABAROANSA20	7,35
1"1/2	ABAROANSA24	9,33
2"	ABAROANSA32	14,88
2"1/2	ABAROANSA40	19,98
3"	ABAROANSA48	26,22
4"	ABAROANSA64	41,89

